

TECHNICAL DATA SHEET



KRASO® Plastic Flange Plate Type KFP –split-

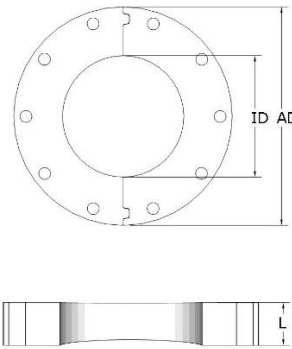
Application area

for installation of pipes or cables using a KRASO® Sealing Insert (not included in the scope of supply), no core drilling required, simple opening or recess in the wall is enough, against pressing water up to 3,0 bar, plate made of 60 mm strong, high-strength special plastic, EPDM flat seal, ID = InternalDiameter | **Waterproof concrete guideline: Stress class 1 + 2, with foil flange DIN 18533 W1 -E and W2.1 -E**

Product image



Technical drawing



Material

Flange plate	Plastic (PP)
Seal	EPDM flat seal 5mm 50 +/- 5 shore
Fixing material	Bolts, washers, nuts M12, galvanised

Technical details

- Waterproof concrete guideline: Stress class 1 + 2, with foil flange DIN 18533 W1 -E and W2.1 -E

Test Certificates | [In our download area](#)

Type / Item	KRASO® Type KFP - split						
ID	80	100	125	150	200	250	300
AD	240	260	285	310	360	410	460
L	60	60	60	60	60	60	60
Media line	0-55	0-75	0-100	0-125	0-175	0-225	0-275
Weight	4,5	6,9	8,2	9,1	10,5	13,3	16,1
Item No.	KKFPG0801	KKFPG1001	KKFPG1251	KKFPG1501	KKFPG2001	KKFPG2501	KKFPG3001

•ID | Internal diameter (mm) •AD | External diameter (mm) •Media line | max. external diameter pipe or cable from ... to ... in mm
 •L | Thickness plastic plate (mm) •Weight | in kg

TECHNICAL DATA SHEET

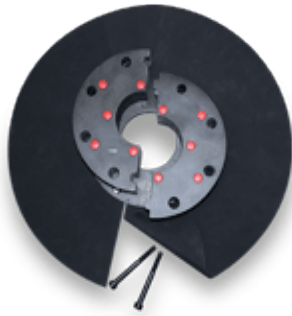


KRASO® Plastic Flange Plate Type KFP –split-

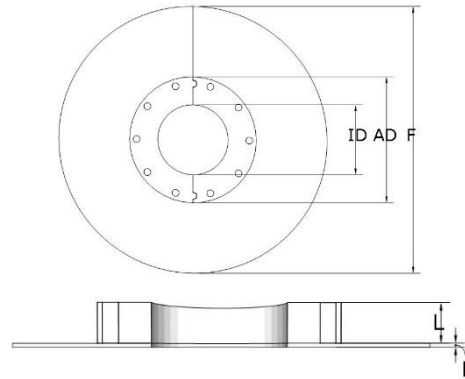
Application area

for installation of pipes or cables using a KRASO® Sealing Insert (not included in the scope of supply), no core drilling required, simple opening or recess in the wall is enough, against pressing water up to 3,0 bar, plate made of 60 mm strong, high-strength special plastic, EPDM flat seal, ID = InternalDiameter | **Waterproof concrete guideline: Stress class 1 + 2, with foil flange DIN 18533 W1 -E and W2.1 -E**

Product image



Technical drawing



Material

Flange plate	Plastic (PP)
Seal	EPDM flat seal 5mm 50 +/- 5 shore
Foil flange	EPDM 1,3mm
Fixing material	Bolts, washers, nuts M12, galvanised

Technical Details

- Waterproof concrete guideline: Stress class 1 + 2, with foil flange DIN 18533 W1 -E and W2.1 -E.

Test Certificates | [In our download area](#)

Type / Item	KRASO® Type KFP – Foil Flange - split						
ID	80	100	125	150	200	250	300
AD	240	260	285	310	360	410	460
F	540	560	585	610	660	710	760
L	60	60	60	60	60	60	60
E	1,3	1,3	1,3	1,3	1,3	1,3	1,3
Media line	0-55	0-75	0-100	0-125	0-175	0-225	0-275
Weight	5	7,8	8,8	9,9	12,2	14,5	17,8
Item No.	KKFPG0801F	KKFPG1001F	KKFPG1251F	KKFPG1501F	KKFPG2001F	KKFPG2501F	KKFPG3001F

•ID | Internal diameter (mm) •AD | External diameter (mm) •Media line | max. external diameter pipe or cable from ... to ... in mm
 •F | External diameter foil flange •L | Thickness plastic plate (mm) •E | Thickness EPDM (mm) •Media line | max. (mm) •Weight | in kg